

SHELL.MINI



IP66	IK09	CREE XP-G	RECYCLE
FAILURE RATE < 0,1% after 25,000h	LIFE TIME Tested over 50,000h	MIN -20°C MAX 55°C	CLASE I
SP US	RoHS	CE	RoHS 2

CIRCULAR PROJECTORS
SHELL SERIES

References

Code	Type	Finish	Light Color	Power	Lense		Voltage	Driver
VL-SH.MIN	A Base F Nut	LG Light grey	White	6W	8°	12°	UNIV 100-264Vac	STD ON/OFF
		DK Dark grey	W24 2400K					
	WH White	W27 2700K	40°		60°	RD Remote DALI		
	BK Black	W30 3000K					15x30°	10x60°
	RAL Any RAL color	W40 4000K						
		W60 6000K						
				Single Color (SC)				
			R Red	6W	8°	12°	UNIV 100-264Vac	STD ON/OFF
			B Blue	20°				
			G Green	40°	60°	RD Remote DALI		
			A Amber	15x30°			10x70°	RCAS Casambi
				RGBW				
			RGBW3	6W	20°	40°	12 12Vdc	RD Remote DALI
			4 in 1 Chip RGB+W3000K	60°				
			RGBW4		15x25°	RCAS Casambi		
		4 in 1 Chip RGB+W4000K						

Reference example

VL-SH.MIN-A-WH-W24-6W-60°-UNIV-STD

Variations

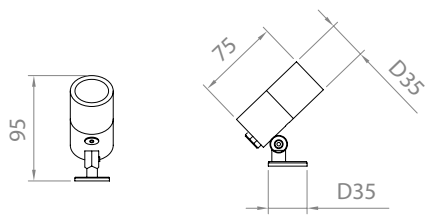


A
Base

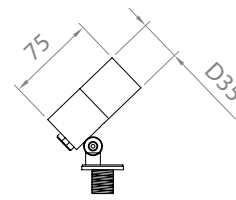


F
Nut (M10x1,5mm)

Dimensions



TYPE A




TYPE F


Accessories

Code	Accessories
VL-SH.MIN	<p>HC Honeycomb Grid</p> <p>HO Hood 57 mm</p>

HC



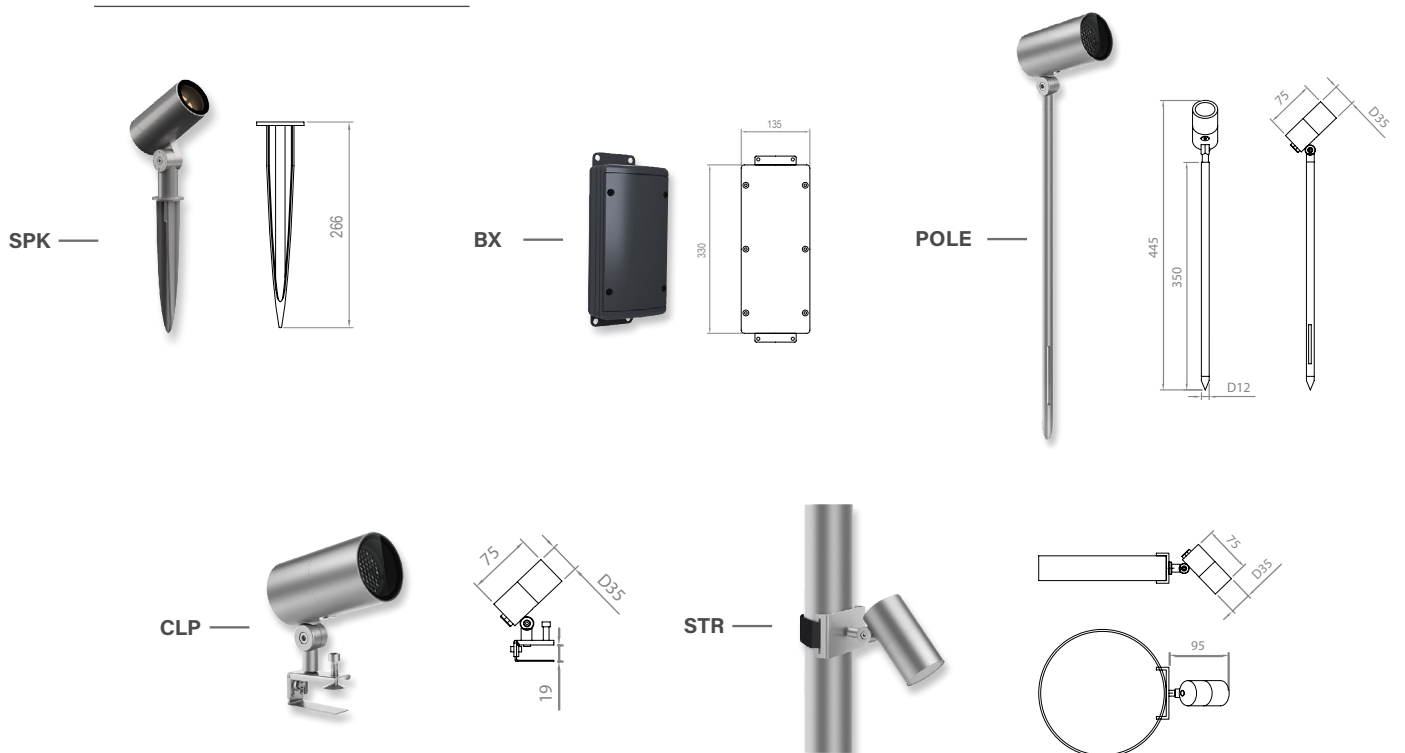
HO



Code	Accessories
VL-SH.MIN	<p>*SPK SPIKE</p> <p>*BX Elevated Box</p> <p>*POLE POLE</p> <p>*CLP CLAMP</p> <p>*STR STRIPE</p> <p>*CBLX Special length cable</p>

** Must be used with Type F*
** Must be used with Type F*
** Must be used with Type F*
** Must be used with Type F*
** Must be used with Type F*

** Instead of X, put length of cable needed*
Example: VL-SH.MIN-CBL-10m



Accessories

Code	Description	Diameter	N° of projectors
------	-------------	----------	------------------

VL-SH.MIN

RNG RING

50 50cm
60 60cm
70 70cm
80 80cm

2P 2 projectors
3P 3 projectors
4P 4 projectors
6P 6 projectors
8P 8 projectors

Suggested diameter = diameter of tree trunk + 10cm/15cm

** projectors references must be order separetly*

*** For 24Vdc projectors, ring can allocate 1 power supply for all projectors*

**** Must be used with Type F*

