



**KAPIK.50**



**KAPIK.25**



**KAPIK.16**

RECTANGULAR PROJECTORS  
**KAPIK SERIES**

# KAPIK.50



IP66	IK09	CREE XP-G	RECYCLE
FAILURE RATE < 0,1% after 25,000h	LIFE TIME Tested over 50,000h	MIN -20°C MAX 55°C	CLASE I
SP US	CE	RoHS	RoHS 2

RECTANGULAR PROJECTORS  
**KAPIK SERIES**

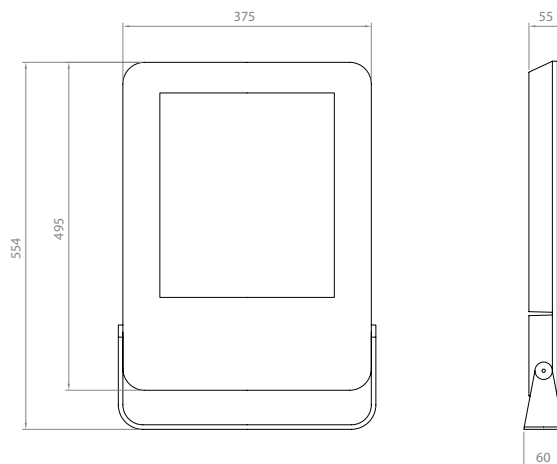
## References

Code	Finish	Light Color	Power	Lense		Voltage	Driver	
VL-KP50	<b>LG</b> Light grey	<b>White</b>						
	<b>DK</b> Dark grey	<b>W24</b> 2400K	<b>150W</b>	<b>8°</b>	<b>12°</b>	<b>UNIV</b> 100-264Vac	<b>STD</b> ON/OFF	
	<b>WH</b> White	<b>W27</b> 2700K	<b>185W</b>	<b>20°</b>	<b>30°</b>			
	<b>BK</b> Black	<b>W30</b> 3000K	<b>225W</b>	<b>40°</b>	<b>60°</b>			
	<b>RAL</b> Any RAL color	<b>W40</b> 4000K		<b>15x30°</b>	<b>10x60°</b>			
			<b>W60</b> 6000K					
			<b>Single Color (SC)</b>					
		<b>R</b> Red		<b>150W</b>	<b>8°</b>	<b>12°</b>	<b>UNIV</b> 100-264Vac	<b>STD</b> ON/OFF
		<b>B</b> Blue		<b>185W</b>	<b>20°</b>	<b>30°</b>		
		<b>G</b> Green		<b>225W</b>	<b>40°</b>	<b>60°</b>		
	<b>A</b> Amber			<b>15x30°</b>	<b>10x60°</b>			

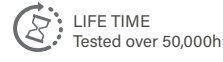
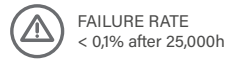
Reference example

VL-KP50-DK-W60-150W-60°-UNIV-STD

## Dimensions



# KAPIK.25



RECTANGULAR PROJECTORS  
**KAPIK SERIES**

## References

Code	Type	Finish	Light Color	Power	Lense		Voltage	Driver
VL-KP25	A Base	LG Light grey	<b>White</b>					
	B Base 2	DK Dark grey	W24 2400K	60W	8°	12°	UNIV 100-264Vac	STD ON/OFF
		WH White	W27 2700K	82W	20°	30°		
		BK Black	W30 3000K	102W	40°	60°		
		RAL Any RAL color	W40 4000K	120W	15x30°	10x60°		
			W60 6000K		ASYM (60W)			
			<b>Single Color (SC)</b>					
		R Red		60W	8°	12°	UNIV 100-264Vac	STD ON/OFF
		B Blue		82W	20°	30°		
		G Green		102W	40°	60°		
		A Amber		120W	15x30°	10x60°		

Reference example

VL-KP25-DK-W40-60W-ASYM-UNIV-STD

## Variations

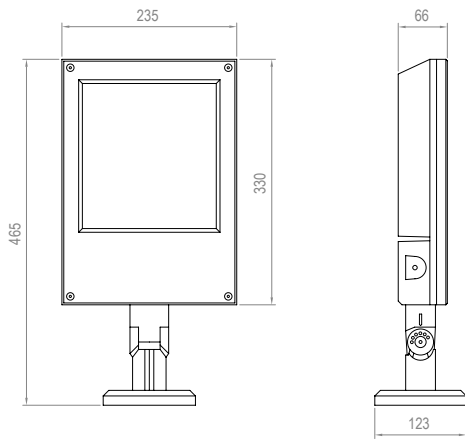


**A**  
Base

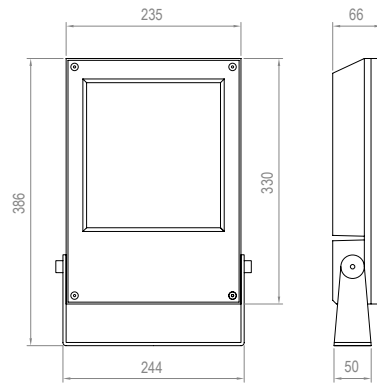


**B**  
Base 2

# Dimensions



**TYPE A**



**TYPE B**

# KAPIK.16



IP66	IK09	CREE XP-G	RECYCLE
FAILURE RATE < 0,1% after 25,000h	LIFE TIME Tested over 50,000h	MIN -20°C MAX 55°C	CLASE I

RECTANGULAR PROJECTORS  
**KAPIK SERIES**

## References

Code	Finish	Light Color	Power	Lense		Voltage	Driver
VL-KP16	<b>LG</b> Light grey	<b>White</b>					
	<b>DK</b> Dark grey	<b>W24</b> 2400K	<b>22W</b>	<b>8°</b>	<b>12°</b>	<b>UNIV</b> 100-264Vac	<b>STD</b> ON/OFF
	<b>WH</b> White	<b>W27</b> 2700K	<b>30W</b>	<b>20°</b>	<b>30°</b>		
	<b>BK</b> Black	<b>W30</b> 3000K	<b>36W</b>	<b>40°</b>	<b>60°</b>		
	<b>RAL</b> Any RAL color	<b>W40</b> 4000K		<b>15x30°</b>	<b>10x60°</b>		
		<b>W60</b> 6000K		<b>ASYM</b> (30W)			
		<b>Single Color (SC)</b>					
	<b>R</b> Red	<b>22W</b>	<b>8°</b>	<b>12°</b>	<b>UNIV</b> 100-264Vac	<b>STD</b> ON/OFF	
	<b>B</b> Blue	<b>30W</b>	<b>20°</b>	<b>30°</b>			
	<b>G</b> Green	<b>36W</b>	<b>40°</b>	<b>60°</b>			
<b>A</b> Amber		<b>15x30°</b>	<b>10x60°</b>				
		<b>ASYM</b> (30W)					

Reference example

VL-KP16-DK-W40-30W-ASYM-UNIV-STD

## Dimensions

