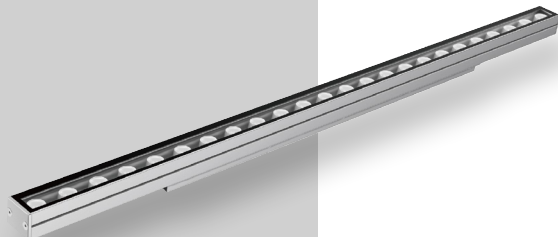


# LINNEA.40



IP66	IK09	CREE XP-G	RECYCLE
FAILURE RATE < 0,1% after 25,000h	LIFE TIME Tested over 50,000h	MIN -20°C MAX 55°C	CLASE I

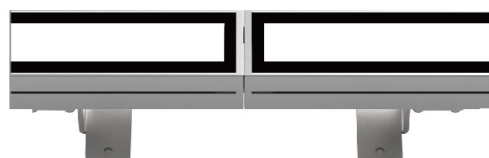
LINNERS  
**LINNEA SERIES**

## References

Code	Finish	Light Color	Lenght-Power	Lense		Voltage	Driver	
VL-LN.40	LG Light grey RAL Any RAL color	<b>White</b>						
		<b>W24</b> 2400K	<b>300mm-8W</b>	<b>6°</b>	<b>8°</b>	<b>UNIV</b> 100-264Vac (only for 1000mm)	<b>STD</b> ON/OFF	
	<b>W27</b> 2700K	<b>500mm-9W</b>	<b>12°</b>	<b>20°</b>	<b>010</b> 0-10V			
	<b>W30</b> 3000K	<b>500mm-12W</b>	<b>30°</b>	<b>40°</b>	<b>24</b> 24Vdc	<b>DALI</b>		
	<b>W40</b> 4000K	<b>500mm-18W</b>	<b>60°</b>	<b>15x30°</b>		<b>CAS</b> Casambi		
	<b>W60</b> 6000K	<b>500mm-24W</b>	<b>10x60°</b>					
		<b>1000mm-18W</b>						
		<b>1000mm-24W</b>						
		<b>1000mm-36W</b>						
	<b>Single Color (SC)</b>							
	<b>R</b> Red	<b>300mm-8W</b>	<b>6°</b>	<b>8°</b>	<b>UNIV</b> 100-264Vac (only for 1000mm)	<b>STD</b> ON/OFF		
	<b>B</b> Blue	<b>500mm-9W</b>	<b>12°</b>	<b>20°</b>		<b>010</b> 0-10V		
	<b>G</b> Green	<b>500mm-12W</b>	<b>30°</b>	<b>40°</b>	<b>24</b> 24Vdc	<b>DALI</b>		
	<b>A</b> Amber	<b>500mm-18W</b>	<b>60°</b>	<b>15x30°</b>		<b>CAS</b> Casambi		
		<b>500mm-24W</b>	<b>10x60°</b>					
	<b>1000mm-18W</b>							
	<b>1000mm-24W</b>							
	<b>1000mm-36W</b>							
<b>RGBW</b>								
<b>RGBW3</b>	<b>300mm-12W</b>	<b>20°</b>	<b>40°</b>	<b>24</b> 24Vdc	<b>DMX</b>			
4 in 1 Chip	<b>500mm-18W</b>	<b>60°</b>	<b>15x60°</b>					
RGB+W3000K	<b>1000mm-36W</b>	<b>15x25°</b>						
<b>RGBW4</b>	<b>1000mm-48W</b>							
4 in 1 Chip								
RGB+W4000K								

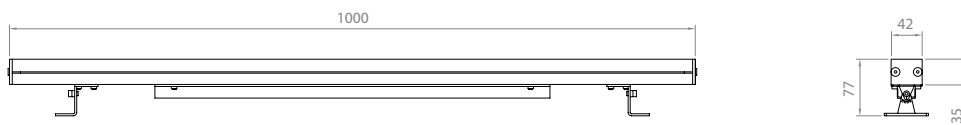
Reference example

VL-LN.40-R-300mm-8W-8-24-STD



Soft light effect with no gaps


## Dimensions

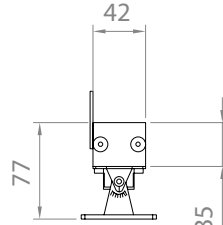


## Accessories

Code	Accessories
VL-LN.40	<b>HC</b> Honeycomb Grid <b>VS</b> Visor

**HC** — 

**VS** — 

Code	Accessories
VL-LN.40	<b>XLL</b> Extra long legs <b>IO</b> In&out cable with connectors <b>*CBLX</b> Special length cable

*\* Instead of X, put length of cable needed  
Example: VL-LN40-CBL-10m*

