

ISVI.3



IP66	IK09	CREE XP-G	RECYCLE
FAILURE RATE < 0,1% after 25,000h	LIFE TIME Tested over 50,000h	MIN -20°C MAX 55°C	CLASE I

CIRCULAR PROJECTORS
ISVI SERIES

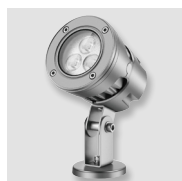
References

Code	Type	Finish	Light Color	Power	Lense		Voltage	Driver	
VL-IV3	A Base	LG Light grey	White						
	B Base 2	DK Dark grey	W24 2400K	3,5W	8°	12°	UNIV 100-264Vac	STD ON/OFF	
	F Nut	WH White	W27 2700K	6W	20°	30°	12 12Vdc		
		BK Black	W30 3000K	8W	45°	60°			
		RAL Any RAL color	W40 4000K		15x30°	10x60°			
			W60 6000K						
				Single Color (SC)					
				R Red	3,5W	8°	12°	UNIV 100-264Vac	STD ON/OFF
				B Blue	6W	20°	30°	12 12Vdc	
				G Green	8W	45°	60°		
			A Amber		15x30°	10x60°			

Reference example

VL-IV3-F-BK-A-6W-15x30-12-STD

Variations



A
Base

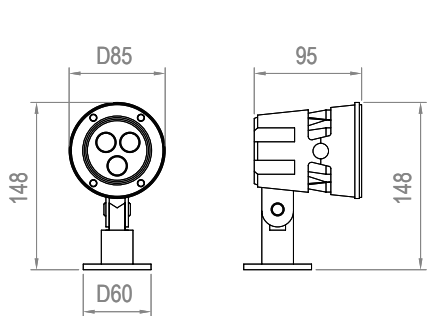


B
Base 2

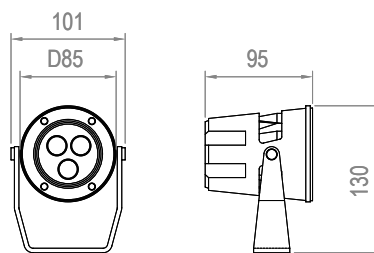


F
Nut (M10x1,5mm)

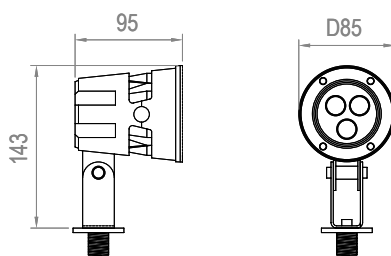
Dimensions



TYPE A



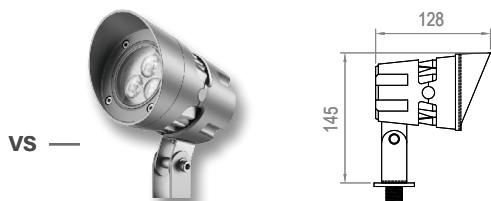
TYPE B



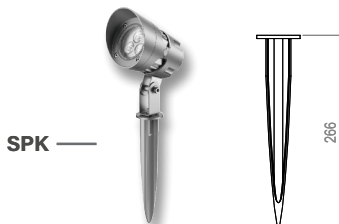
TYPE F

Accessories

Code	Accessories
VL-IV3	VS Visor



Code	Accessories
VL-IV9	<ul style="list-style-type: none"> *SPK SPIKE *BX Elevated Box *CBLX Special length cable



** Must be used with Type F*
** Must be used with Type F*
** Instead of X, put length of cable needed*
Example: VL-IV9-CBL-10m

